

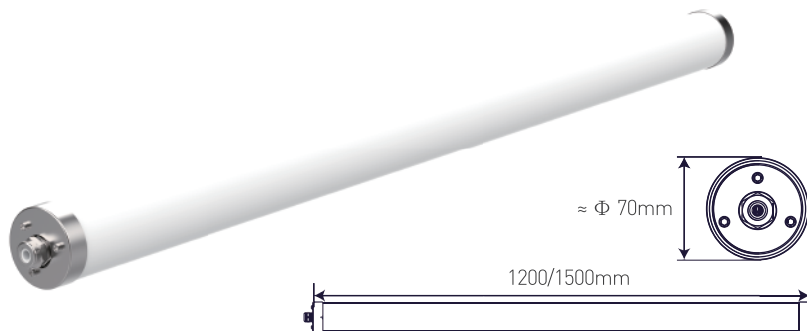
PRO VERSION Tubular–Ti60LE (Outdoor)

<https://www.ervan.cn>

For outdoor application, stable and anti-UV PE material without changing the surface color protects the inside units from the UV rays destruction for the years to come. Together with the vapor-tight and perfectly sealed mechanical design with IP69K & IK10 rate, making sure the luminaire naturally suitable for slight corrosion and the impacting environment.

Application:

Parking lot, gradens, hotels, parks, bridges.
railway, roads



Mechanical Characteristics

Certification	CE / Rohs / Dmark
Ingress protection rating(IP)	IP69K
Impact resistance(IK)	IK10
Ambient temperature	-20~40°C
Protective class	Class I
Glow wire	850°C
Profile	Extruded PE/Sheet metal board
End cap	Stainless steel 316 (304 available on request)
Cable entry	Nickel-coated brass cable gland / Quick-fit connector
Weight(Net)	1200mm-1.62KG /1500mm-1.88KG
Installation	Ceiling mounted Suspension Wall Mounted

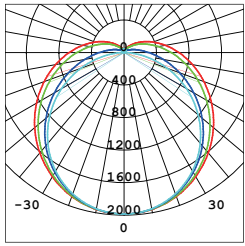
Electrical Characteristics

Wiring	3/5 wires; 3/5 wires through optional				
Power(power adjustable)	1200mm	1500mm			
	36W	48W			
Mains voltage	AC220~240V; DC 180-264V 50/60Hz				
Power factor	≥0.9				
THD	<20%				
Flicker factor	<1%				
SVM	<0.4				
Pst	<1				
Function	0-10V,DALI, Microwave sensor options				
Circuit breakers		B10	B16	C10	C16
	36W	24	38	40	64
	48W	16	26	27	44
Linkable qty		36W		48W	
	230VAC	20		16	

Photometrical Characteristics

CCT	3000 / 4000 / 5000 / 6500K
CRI	80~95
Luminous flux	1200mm 4860LM
	1500mm 6480LM
Luminous efficacy	135lm/w
SDCM	3
Beam angle	120°
Service life	L80/B10 104000h at +25°C
Photobiological safety	RG0

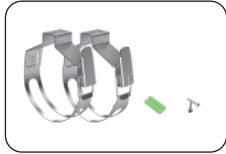
Optics



Accessories

Material

Description



Quick fit bracket, SS316



Anti-theft clamp-1, SS316



Anti-theft clamp-2, SS316



Anti-vibration bracket, SS316



Suspension kit